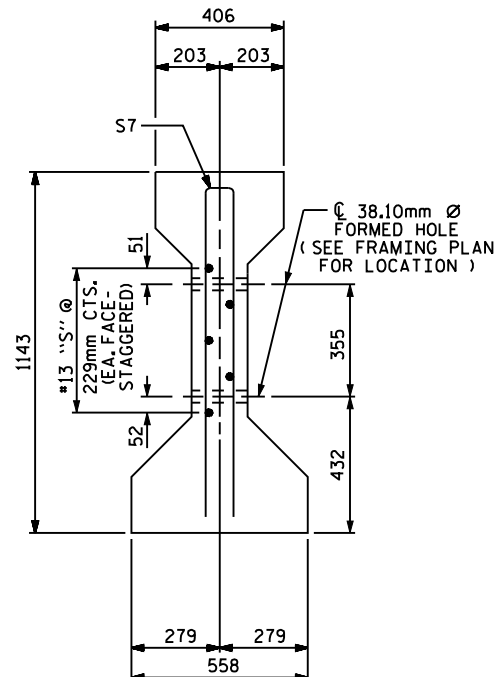
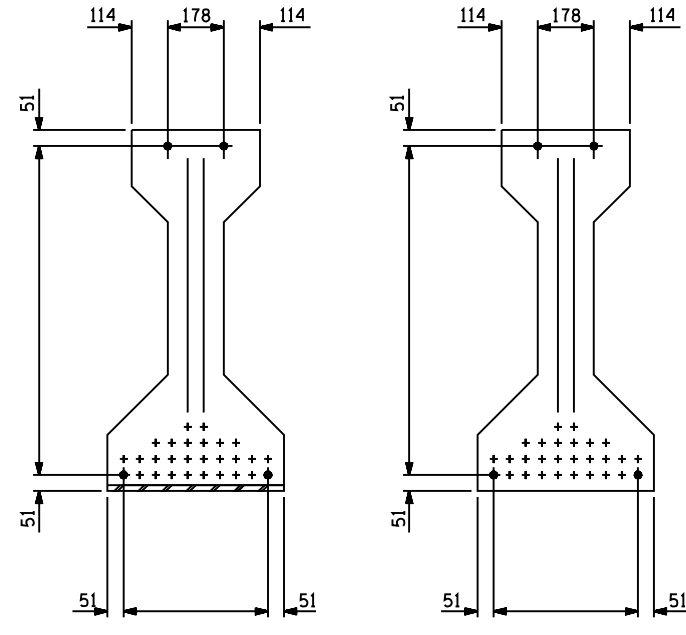


SECTION A-A

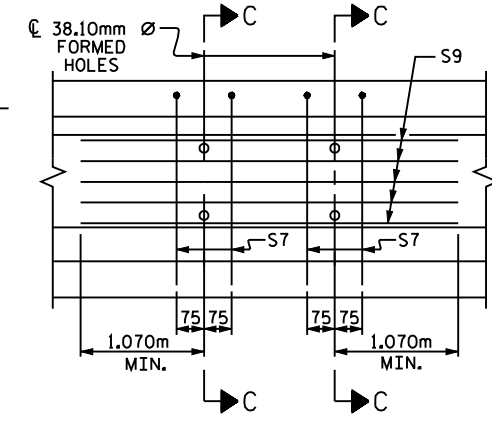
SECTION B-B



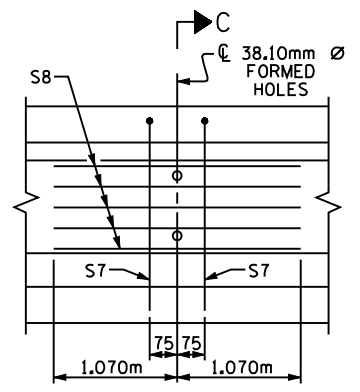
SECTION C-C  
(S1 BARS NOT SHOWN)



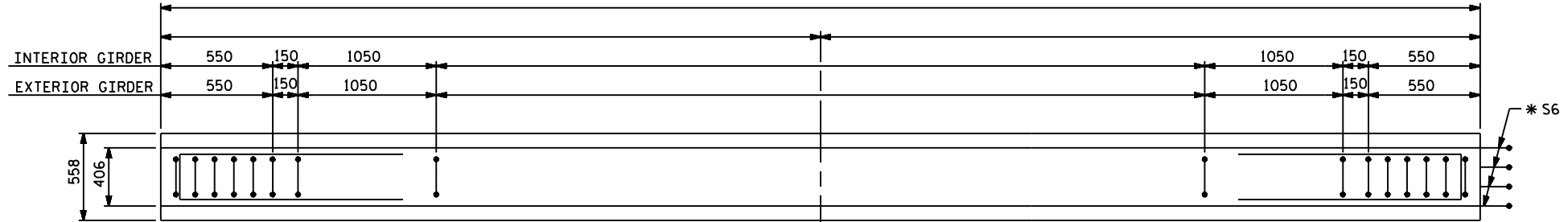
AT END OF GIRDER      AT  $\bar{C}$  OF GIRDER  
15.24mm Ø LOW RELAXATION STRAND LAYOUT



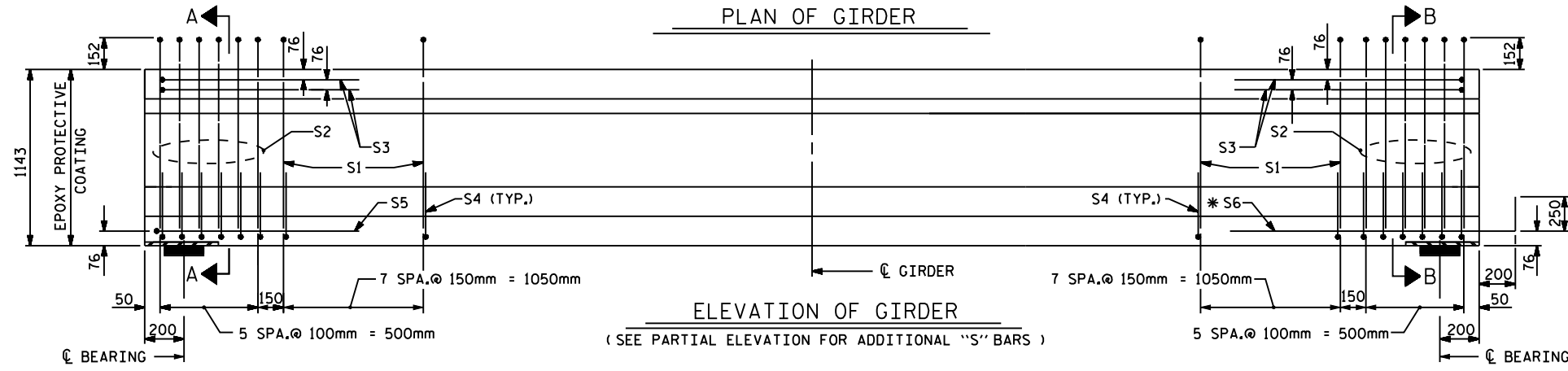
PARTIAL ELEVATION  
SHOWING INTERMEDIATE DIAPHRAGM REINFORCING STEEL FOR GIRDER Nos. .... (FOR INTERIOR GDRS. WITH SKEW < 70° OR SKEW > 110° )



PARTIAL ELEVATION  
SHOWING INTERMEDIATE DIAPHRAGM REINFORCING STEEL FOR GIRDER Nos. .... (FOR ALL EXTERIOR GIRDERS AND INTERIOR GIRDERS WITH 70° ≤ SKEW ≤ 110° )



PLAN OF GIRDER



ELEVATION OF GIRDER  
(SEE PARTIAL ELEVATION FOR ADDITIONAL "S" BARS )

EXP

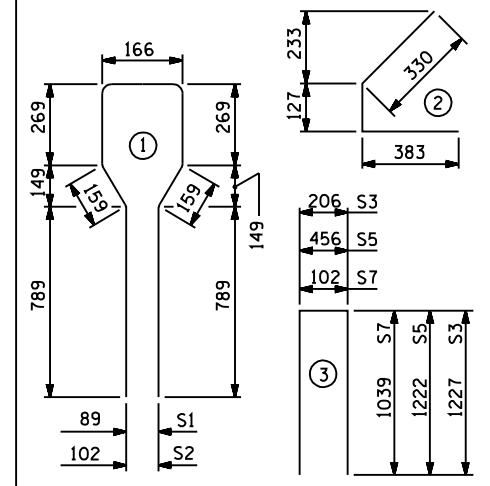
FIX

15.24mm Ø L. R. GRADE 270 STRANDS					
AREA (mm <sup>2</sup> )	ULTIMATE STRENGTH (kN PER STRAND)	APPLIED PRESTRESS (kN PER STRAND)			
140.00	260.7	195.5			
REINFORCING STEEL FOR ONE GIRDER					
BAR	NUMBER	SIZE	TYPE	LENGTH	WEIGHT
EXTERIOR GDR.	S1	#13	1	2600	
INTERIOR GDR.	S1	#13	1	2600	
	S2	#19	1	2600	70
	S3	#13	3	2660	11
	S4	#13	2	840	47
	S5	#13	3	2900	3
	*S6	#16	STR	1120	7
EXTERIOR GDR.	S7	#16	3	2180	
INTERIOR GDR.	S7	#16	3	2180	
EXTERIOR GDR.	S8	#13	STR	2140	
INTERIOR GDR.	S	#13	STR		

\* NOTE: S6 BARS SHALL BE BENT BEFORE SHIPMENT. HEAT BENDING SHALL NOT BE ALLOWED.

BAR TYPES

ALL BAR DIMENSIONS ARE OUT-TO-OUT



QUANTITIES FOR ONE GIRDER

	REINFORCING STEEL	MPa CONCRETE	15.24mm Ø L.R. STRANDS
	kg	m <sup>3</sup>	No.
EXTERIOR GDR.			
INTERIOR GDR.			

GIRDERS REQUIRED

NUMBER	LENGTH	TOTAL LENGTH

PROJECT NO. \_\_\_\_\_  
COUNTY \_\_\_\_\_  
STATION: \_\_\_\_\_

STATE OF NORTH CAROLINA  
DEPARTMENT OF TRANSPORTATION  
RALEIGH  
STANDARD  
AASHTO TYPE III  
PRESTRESSED CONCRETE GIRDER  
CONTINUOUS FOR LIVE LOAD

ASSEMBLED BY :	DATE :
CHECKED BY :	DATE :
DRAWN BY : ELR 8/91	REV. 7/17/98 RWW/LES
CHECKED BY : GRP 8/91	REV. 10/17/00R RWW/LES
	REV. 5/1/06R TLA/GM

REVISIONS						SHEET NO.
NO.	BY:	DATE:	NO.	BY:	DATE:	
1			3			TOTAL SHEETS
2			4			